

# PPL-62C Precision Part Locator

*For locating production material through precisely pierced holes*

> *Sealed Mechanism - Lubricated for Life*

> *Lightweight, Compact Design*

> *Non-Rotating Rod*

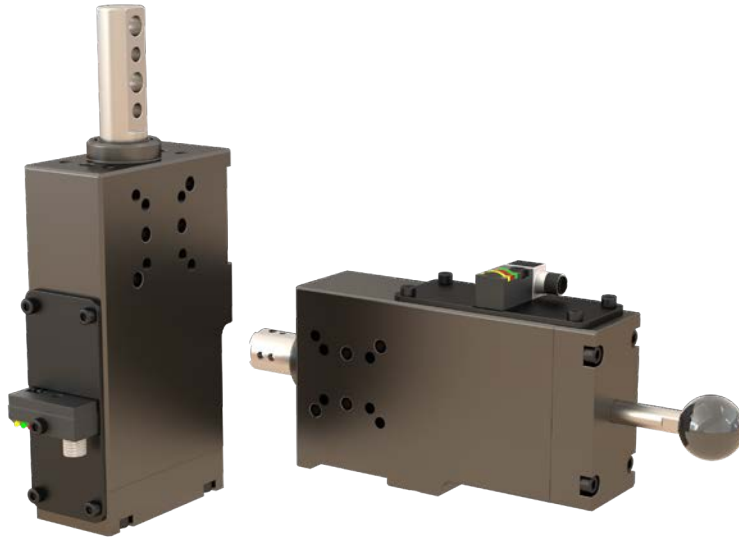


**BTM**<sup>®</sup>  
**COMPANY**

[btmcomp.com](http://btmcomp.com)

+1.810.364.4567

BTM PPL-62C Precision Part Locator is ideal for locating production material through precisely pierced holes. The PPL-62C is used in a variety of manufacturing industries including Automotive and Appliance. Our Precision Part Locator is commonly applied in welding applications, however, they can be used anywhere your production requires locating through precision holes - including clamping and fixturing.



## FEATURES

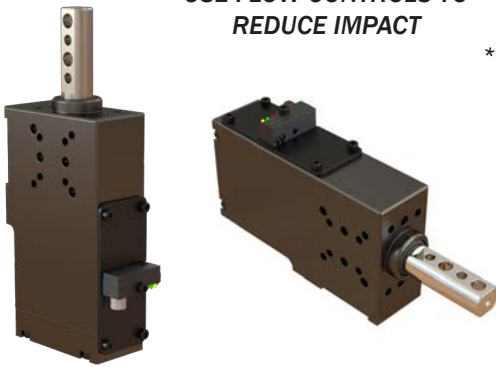
- Shot pin type action
- Uses standard (NAAMS) mounting
- One piece body including an integral cylinder with a heavy wall
- Sealed mechanism lubricated for life
- Non-rotating rod
- Optional prefitted proximity switches
- Lightweight, compact design
- Excellent side load capability
- Standard NAAMS mounting pattern on pin

PPL-62C	
Bore Diameter	62mm (2.5")
Retract Force	1312N (295lbs) @ 5.5 BAR (80 PSI)
Extend Force	1557N (350lbs) @ 5.5 BAR (80 PSI)
Lateral Movement Tolerance	20mm Stroke = ±0.25mm 40mm Stroke = ±0.51mm 60mm Stroke = ±0.76mm
Anti-Rotation	± 0° 30'
Approximate Weight	3.4 kg (7.5 lbs)

## SPECIFICATIONS

Bore Ø	62mm (2.5in.)
Stroke	See Chart below
Recommended Operating Pressure	5.5-7 BARS (80-100 PSI)
Retract Force	1312N (295 lbs) @ 5.5 BAR (80 PSI)
Extend Force	1557N (350 lbs) @ 5.5 BAR (80 PSI)
Lateral Movement Tolerance*	20mm Stroke = ±0.25mm 40mm Stroke = ±0.51mm 60mm Stroke = ±0.76mm
Anti-Rotation	±0° 30'
Approx. Weight	3.4 kg (7.5 lbs)

USE FLOW CONTROLS TO  
REDUCE IMPACT



\* This movement is calculated using a 222N (50lb) side load at end of ram. It does not include deflection of pin and/or pin connection.

## PPL 62C Assembly Numbers

Port Options	Cylinder Stroke	1 Direct Mount Pin	2 Standard L-Block	3 90° L-Block
1/4 NPT & G1/4 Port	20mm	754100A	778400A	778500A
	40mm	754100E	778400B	778500B
	60mm	754100B	778400C	778500C
Manually Operated (Power Assist) 1/4 NPT & G 1/4 Port	20mm	754100C	778400D	778500D
	40mm	754100F	778400E	778500E
	60mm	754100D	778400F	778500F

## SENSOR OPTIONS

If S02 is required for the retracted position (transposed switch configuration), order the switch code with a T for Transposed. Example TTDC.

## Available Switch Codes

### Turck DC or AC

TDC

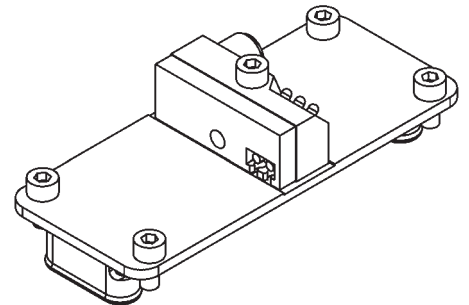
TAC

### Pepperl + Fuchs DC Only

PDC

### No Switch

NS



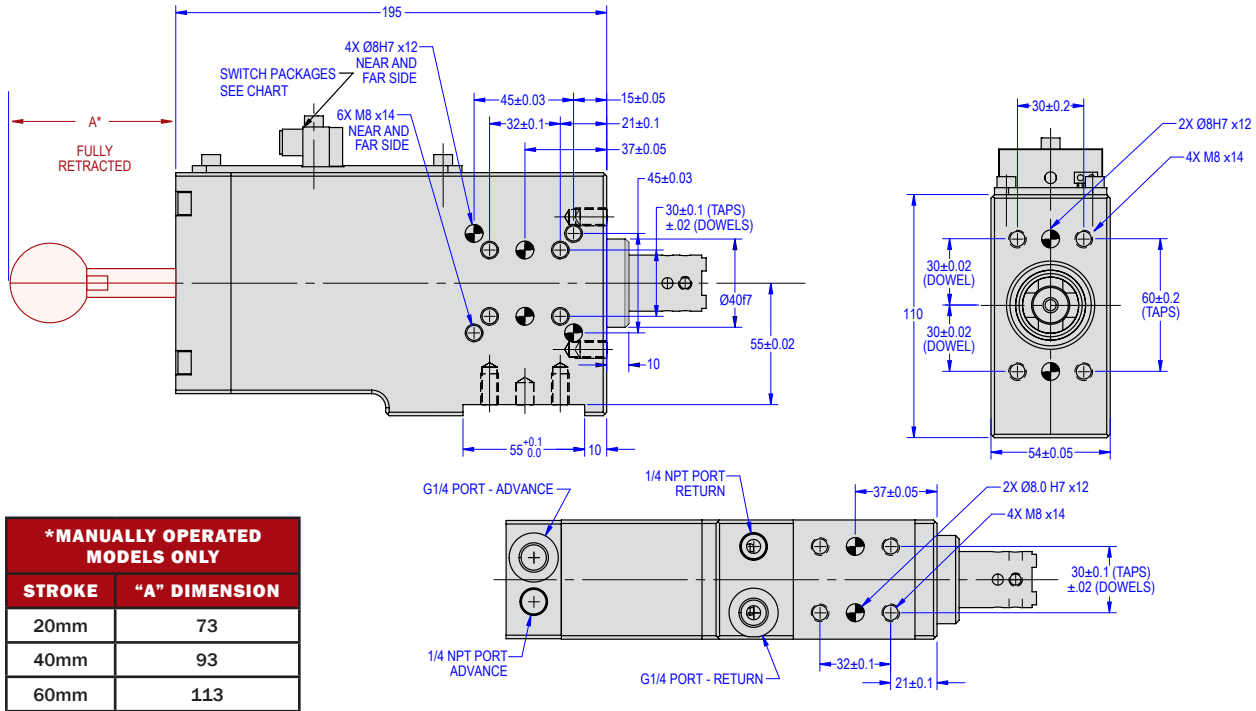
## HOW TO ORDER

Call +1.810.364.4567, or email [sales@btmcomp.com](mailto:sales@btmcomp.com) to request a quote!

BTM Assembly Number
<b>PPL-62C</b>
(See Chart Above for BTM No.)
Sensor Option
<b>SENSOR SWITCH CODE</b>

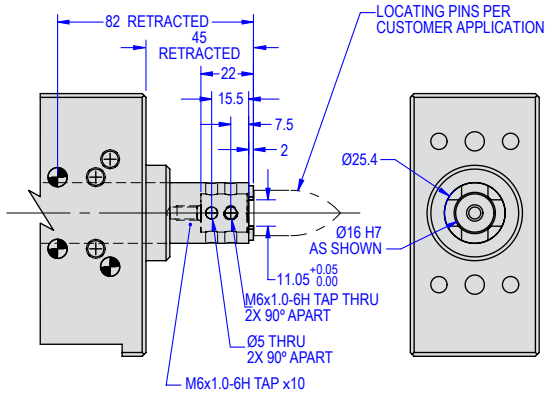
Example
<b>754100A - TDC</b>

# PPL-62C PRECISION PART LOCATOR

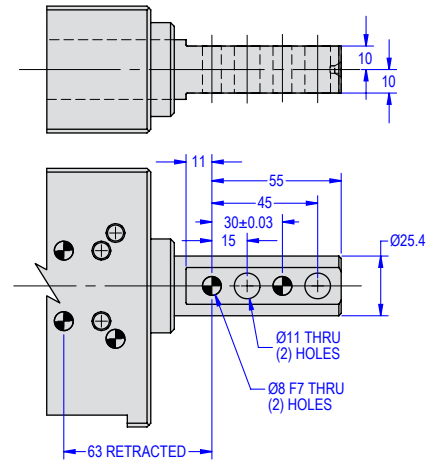


## SHAFT OPTIONS

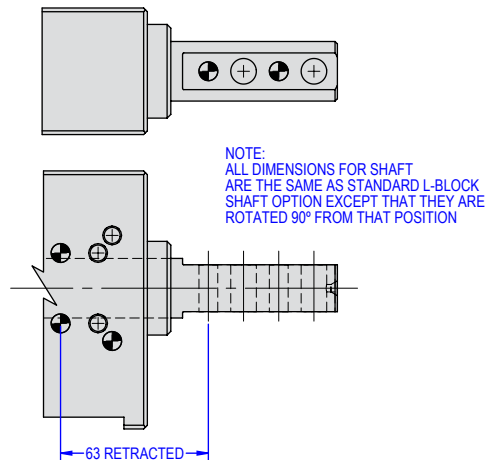
### 1 DIRECT MOUNT PIN OPTION



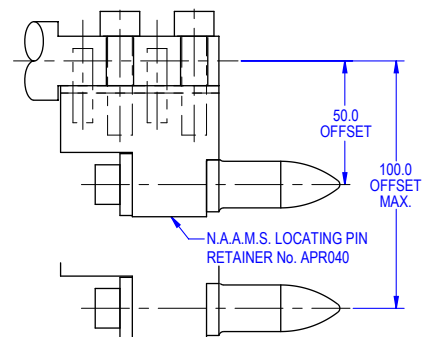
### 2 STANDARD L-BLOCK SHAFT OPTION FOR USE WITH N.A.A.M.S. L-BLOCKS & LOCATING PIN RETAINERS



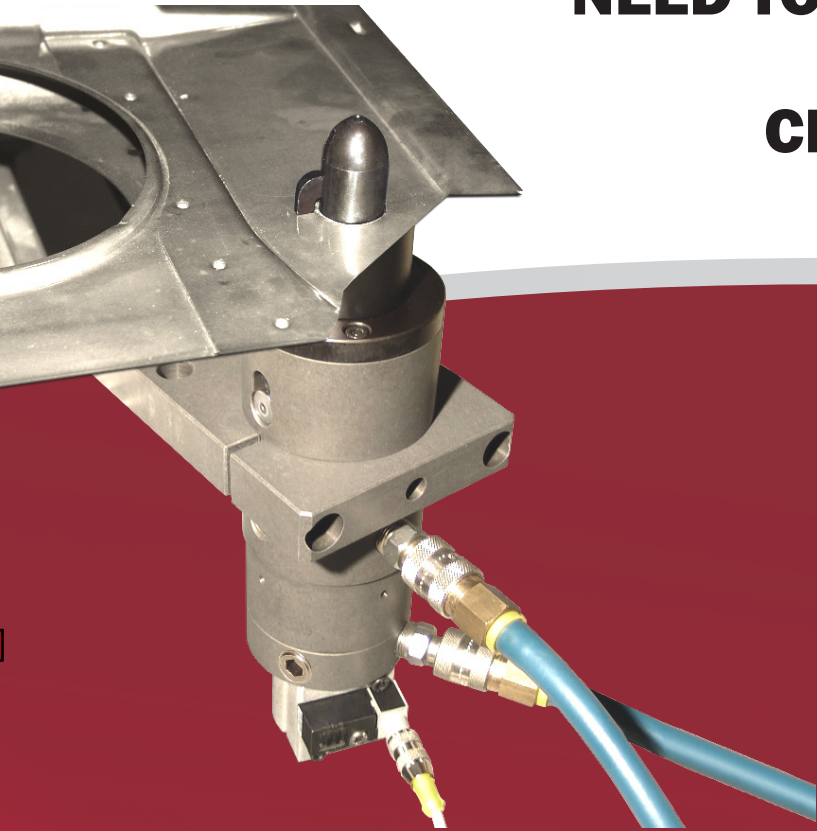
### 3 90° L-BLOCK SHAFT OPTION



### 4 USE L-BLOCK SHAFT OPTION FOR OFFSET MOUNTING OF PINS



# NEED TO LOCATE **AND** CLAMP THROUGH A HOLE?



A BTM Pin Clamp locates and holds a part inexpensively and accurately.

- Combines a locating pin with a power clamp or gripper in one device that is lightweight and easy to mount.
- Engages GD&T oriented holes already in the part.



**PLC-25**  
Light Duty  
Non-Locking

**PLC-45**  
Non-Locking

**PLC-63**  
Non-Locking

**RLPC-45**  
**RLPC-63**  
Rod-Locking

**LPLC-38**  
Locking  
(Manual LPLC-38M Version Shown)

## BTM WORK HOLDING QUALITY PRODUCTS

### Clamps



From heavy duty precision sealed locking power clamps to simple light duty OMNI models, BTM manufactures clamps in a range of styles and sizes for a wide variety of applications.

### Grippers



BTM manufactures a high quality line of grippers ranging from heavy duty models to light duty models in a variety of styles and sizes.

### Pin Locator Clamps



BTM Locator Clamps are ideal for locating & holding production material and are used in a variety of manufacturing areas including automotive & refrigeration.

Pin sizes range from as small as 6mm (PLC-25 Light Duty Clamp) to as large as 40mm (PLC-63 & LPLC-38 locking clamp).

Single Finger Hook Models (without the locating pin) are also available in both locking and non-locking configurations.

### Rod-Locking Pin Locator Clamps



These clamps employ a rod locking feature which allows the clamp to retain the part when air pressure is removed/lost.

### Precision Part Locators



BTM Precision Part Locators are ideal for locating production material through precisely pierced holes - including clamping and fixturing.

For more information, or to view our other products, please visit:

# BTMCOMP.COM